

ad notam POWER ADAPTOR

ET_428

External low voltage power adaptor for **ad notam** monitor systems.

Applicable with **ad notam** article numbers:

FPD-0460 * FPD-0550
 CO_650-6 M (HD)(VO) * CO_820-6 M (HD)(VO)
 DFU-0550-000 and DFU-0550-001



PRODUCT FEATURES

- Universal AC Input
- Meets CEC & ErP Level V
- Meets EN55022 Class "B"
- Meets CISPR/FCC Class "B"
- Continuous Short Circuit Protection
- High Efficiency Operation, 87% Typical
- Over Voltage Protection

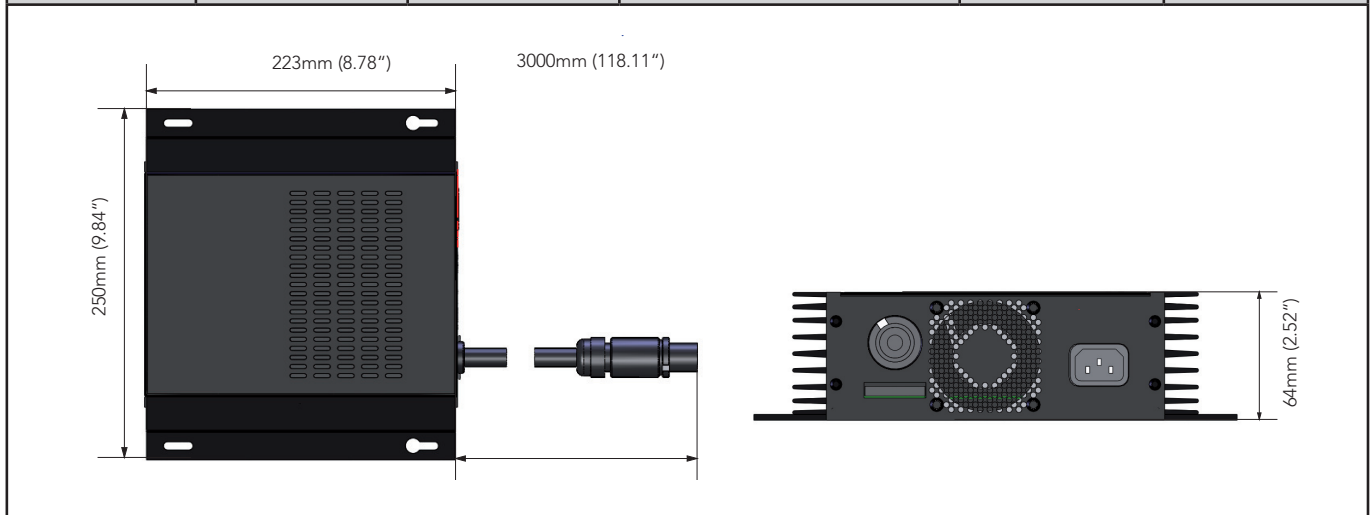
PACKAGE INCLUDES

- 1 x power adaptor
- 1 x power cord

OPTIONAL ACCESSORIES

- DC - DC extension cable [CSET-7](#)

Power	Voltage Input	Voltage Output	Operating Temperature	Humidity	Weight
600W / 25.0A	100 ~ 240V AC	24V DC	0 - 40 °C	20 - 90%	3530g



ARTICLE NO.

Art.No.	Code
ET_	428