

## DIGITAL SET TOP BOX

### DSTB-T/S2

ad notam introduces the DSTB-T/S2, a set top box with an inbuilt digital TV tuner that covers all main Satellite and Terrestrial Digital TV standards (DVB-S2 / DVB-T). It is ready to interact with all models of the ad notam Display Frame Unit (DFU) line and any monitor system that features an HDMI™ input port.



#### PRODUCT FEATURES

- Full HD DVB-T and DVB-S/DVB-S2
- Video decoder: MPEG-4/H.264 HP@L4, MPEG-2 MP@HL
- Audio decoder: AAC/HE-AAC/AC3, DD+
- Up to 4000 channels
- Multi-language OSD menu
- Channel search with automatic or manual scan
- Favorite channel list
- 7 days EPG (electronic program guide)
- HDMI™ output (576p/720p/1080i/1080p)
- Database editor on PC
- Database save to box and load from box
- 12V DC low voltage power operation

#### PACKAGE INCLUDES

- 1 x Digital set top box incl. glass mounting plate
- 1 x Power adaptor [ET\\_550](#) (12V DC / 12W) incl. glass mounting plate
- 1 x IR pass through cable [ET\\_545](#)
- 1 x HDMI™ cable
- 1 x [User manual](#)

#### OPTIONAL ACCESSORIES

- Y-cable 12V DC [ET\\_551](#)
- IR remote control WATERPROOF [ET\\_555](#)
- IR remote control SLIMLINE [ET\\_556](#)

#### ARTICLE NO.

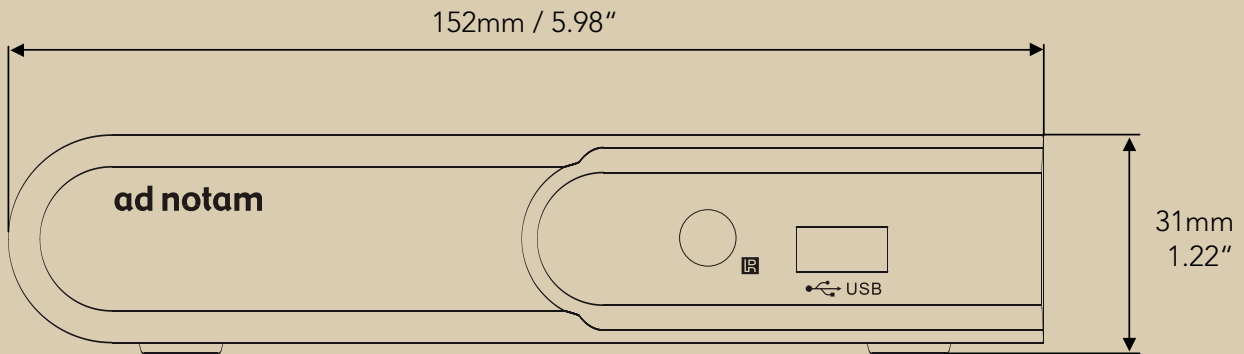
Art.No.	Code	Digital TV standard
DSTB	-T/S2	DVB-T (terrestrial) DVB-S2 (satellite)

## DIGITAL SET TOP BOX

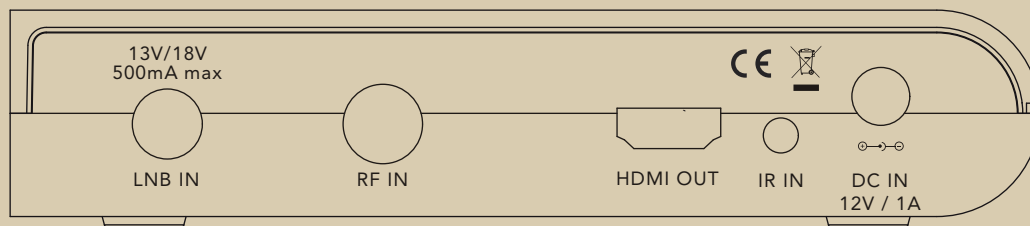
DSTB-T/S2

### PORTS AND MEASUREMENTS

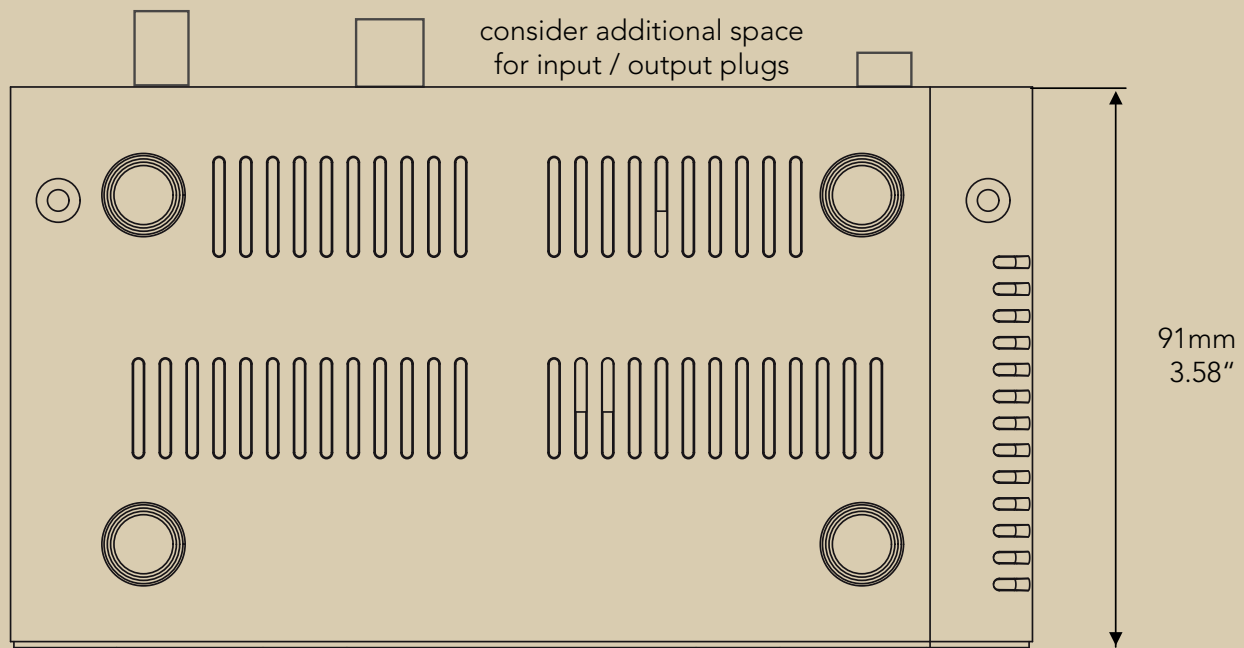
Frontview DSTB-T/S2



Backview DSTB-T/S2



Bottomview DSTB-T/S2



## DIGITAL SET TOP BOX

DSTB-T/S2

## TECHNICAL SPECIFICATION

General Features	DSTB-T/S2	
Power Voltage	12V DC	
Power Consumption	< 6W	Standby < 1W
Video Decoder	MPEG-4 / H.264 HP@L4, MPEG-2 MP@HL	
Video Output Ratio	4:3 / 16:9 / letter box / automatic	
Video Resolution	1920 x 1080p	
Audio Decoder	AAC/HE-AAC/AC3, DD+	
OSD Language	Multi-language	
Electronic Program Guide	7 days EPG	
Teletext	VBI / OSD	
Software Update / Database Update	Yes	
TV and Radio List Handling	Yes	
Favorite List Editing	Yes	
Timer Setting	Yes	
HDMI™ / HDCP	HDMI™ 1.3 / HDCP 1.1	

Tuner and Channel	DSTB-T/S2	
DVB-S2 Receiving Channel Range	950-2150MHz	
DVB-S2 Modulation	QPSK/8PSK	
DVB-S2 LNB Controlling	22KHZ, 13/18V	
DVB-T Receiving Channel Range	174-230MHz, 470-862MHz	
DVB-T Modulation	QPSK/16, QAM/64, QAM	
DVB-T OFDM Spectrum	2K and 8K	
DVB-T Band Width	7MHz, 8MHz	

Ports	DSTB-T/S2	
Input Ports	LNB INPUT	1 x 75 Ohm F-TYPE connector (DVB-S2)
	RF INPUT	1 x IEC-TYPE connector (DVB-T)
	USB INPUT	1 x USB terminal
	IR INPUT (Infrared)	1 x mini jack 3.5mm
	DC INPUT	1 x Switchcraft L722 (12V DC / 1A)
Output Ports	HDMI OUTPUT	1 x HDMI terminal

Shipment attributes	DSTB-T/S2	
HS code	85429000	
Dimensions gift box	240 x 221 x 52mm / 9.45" x 8.70" x 2.05"	
Gross weight gift box	tbd	

